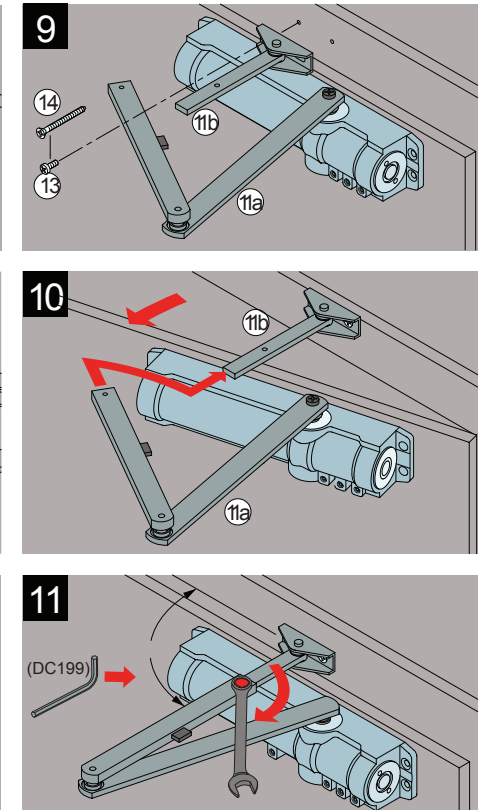
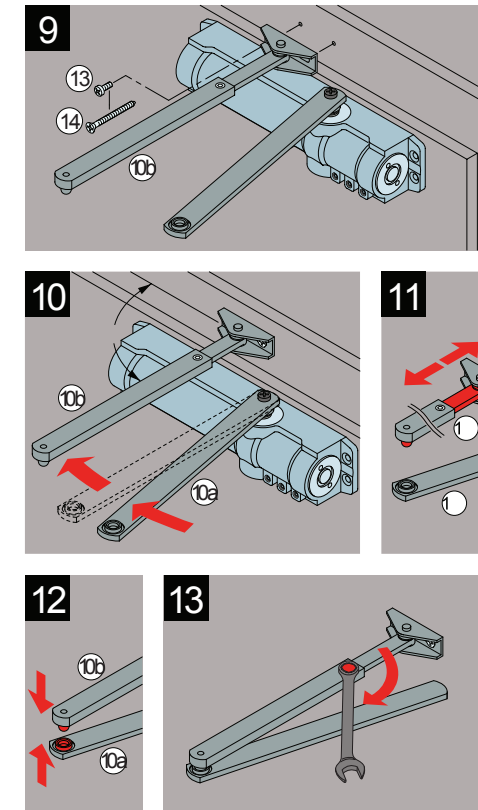
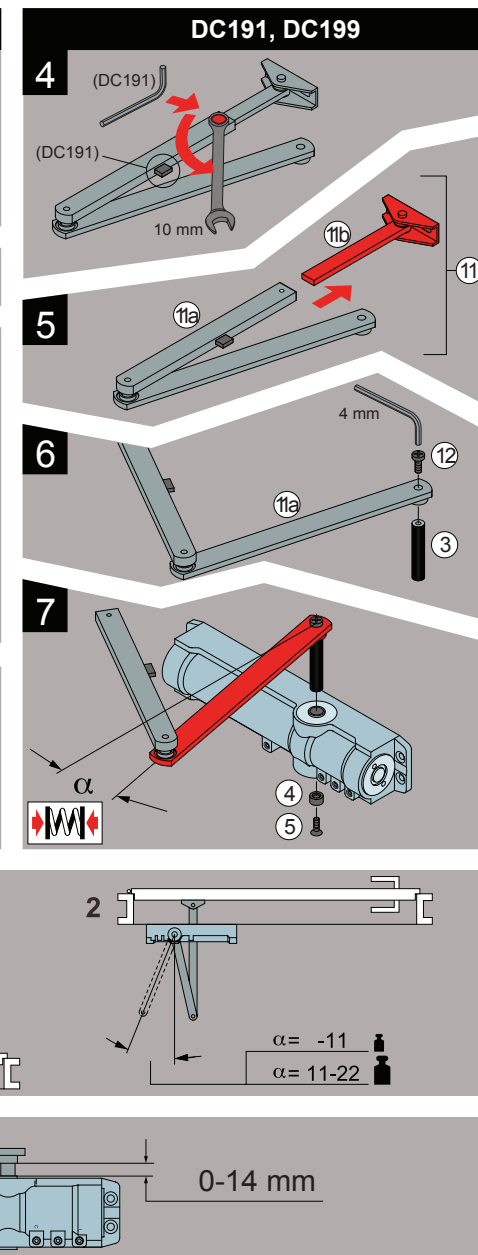
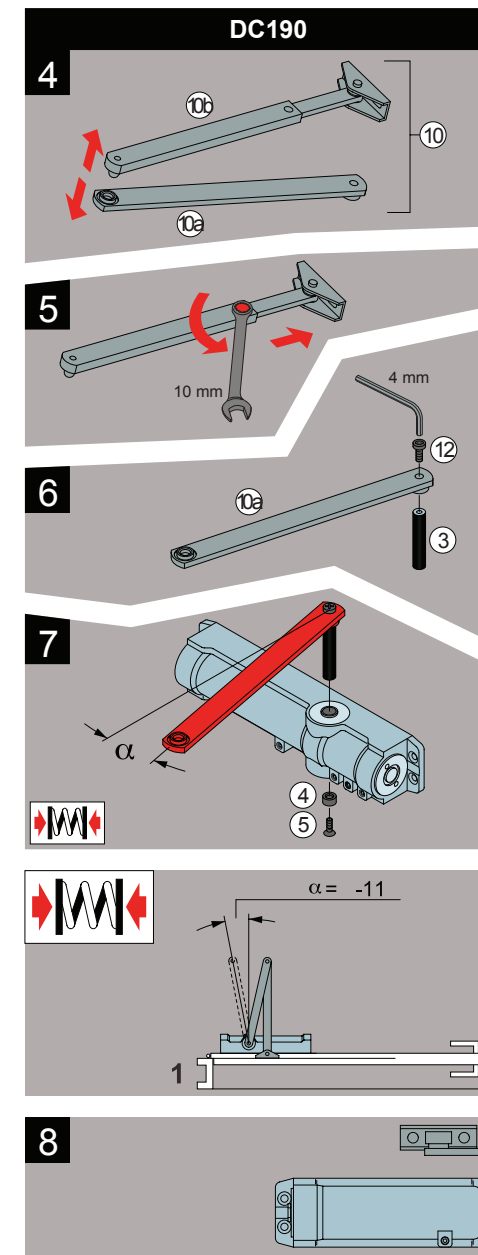
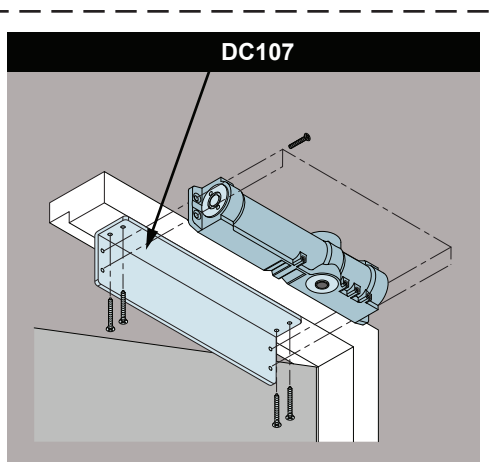
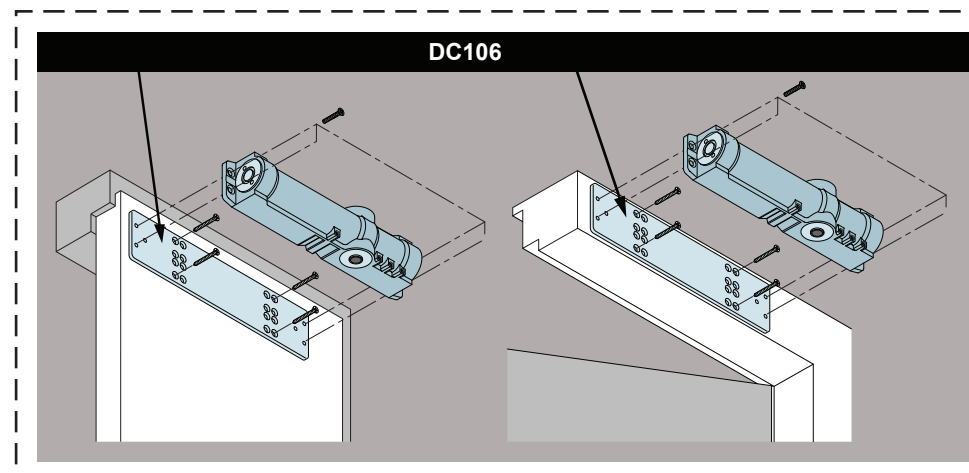
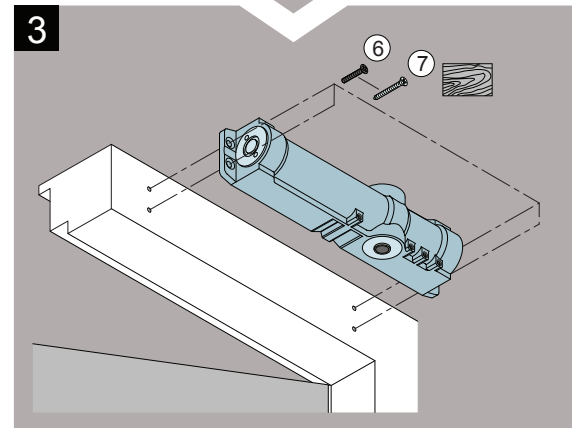
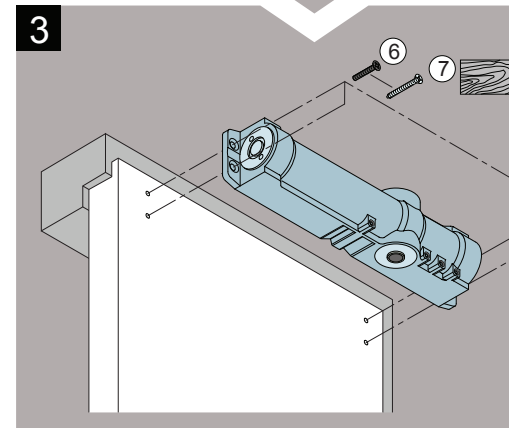
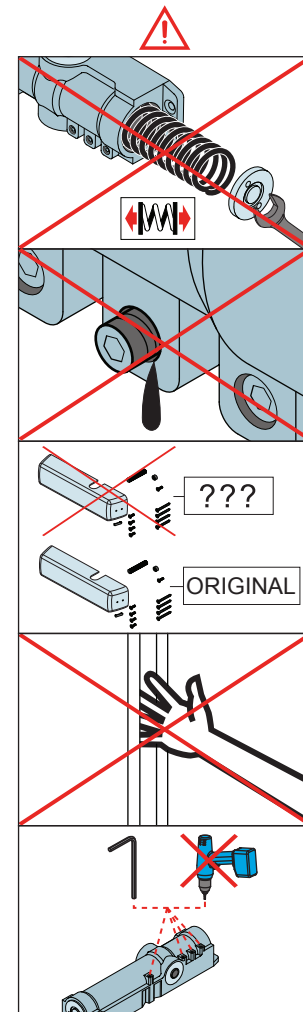
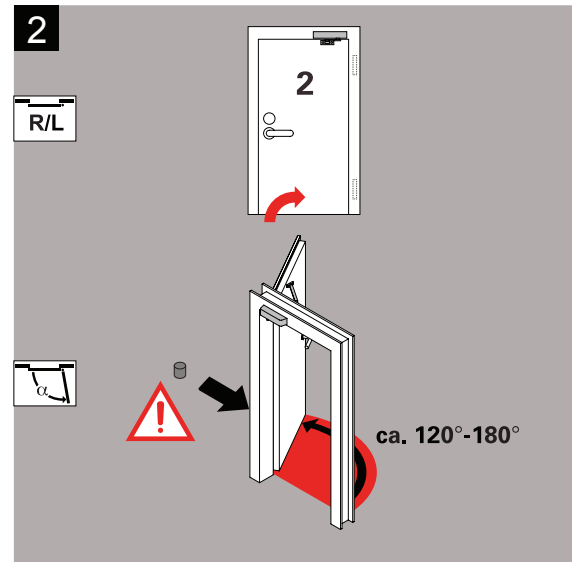
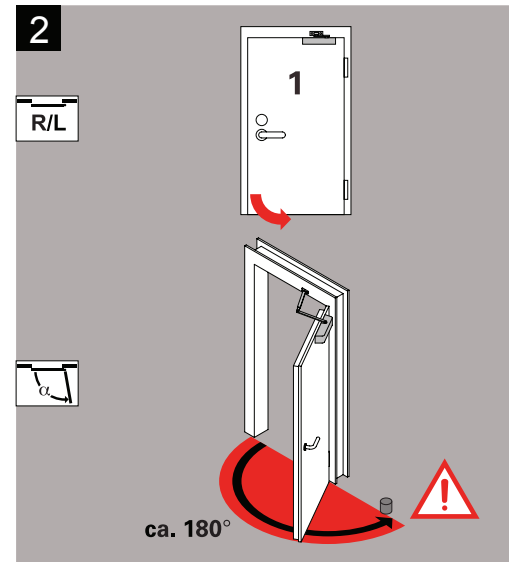
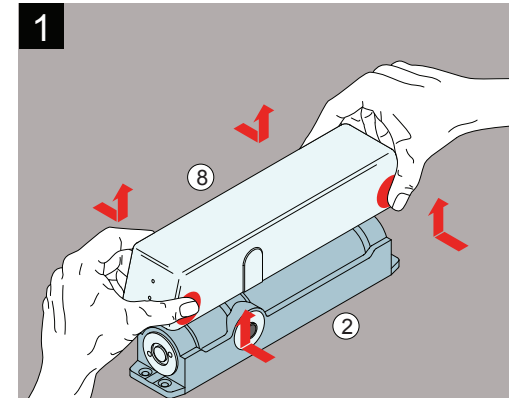
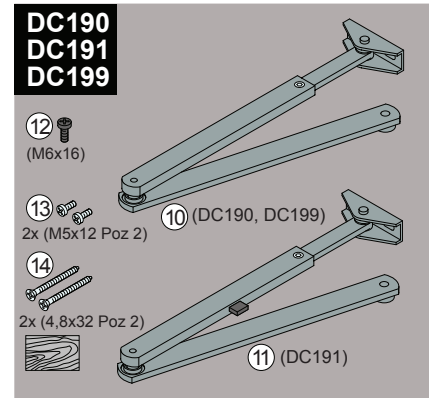
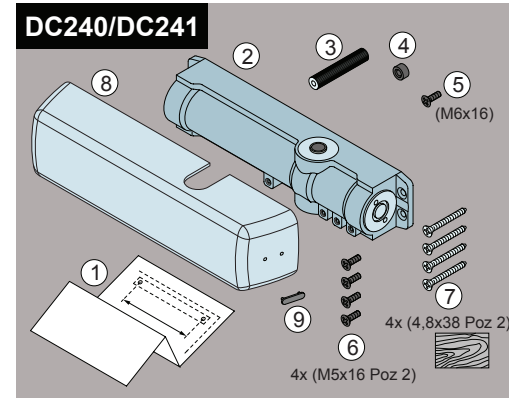


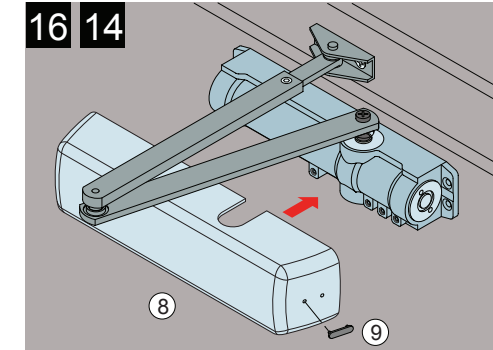
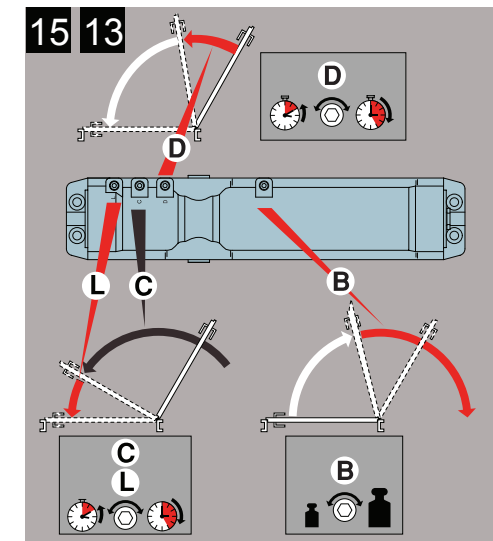
DC240/DC241/DC240DA

+ DC190 / DC199 / (DC191)



min. EN3

EN	1	2	3	4	5	6
DC240	-	1	3	6	10	15
DC240DA	1	3	6	10	15	-
DC241	0	3	6	10	13	-



DC240 + DC190(DC199)

CE	Abloy Oy PO Box 108 80101 Joensuu, Finland	04
0432-CPD-0047	EN 1154:1996+A1:2002	4 8 6 2 1 1 3
Dangerous substances: None		

DC241 + DC190(DC199)

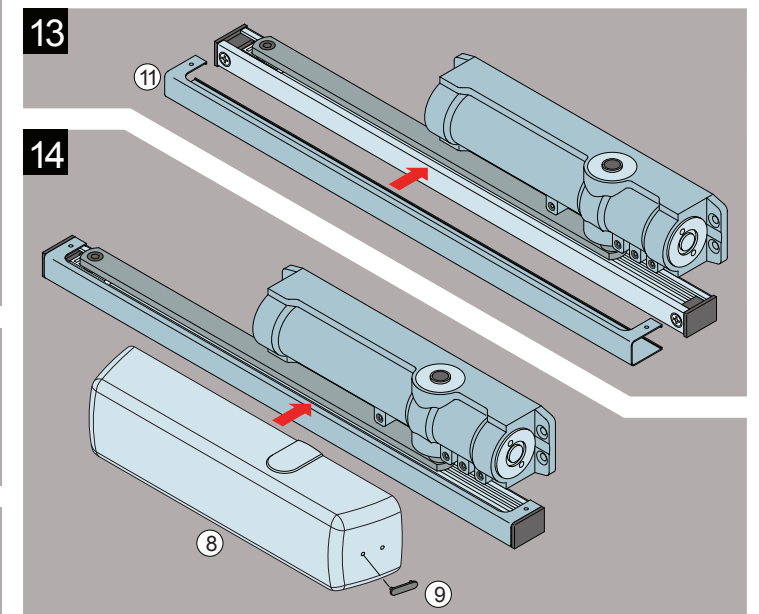
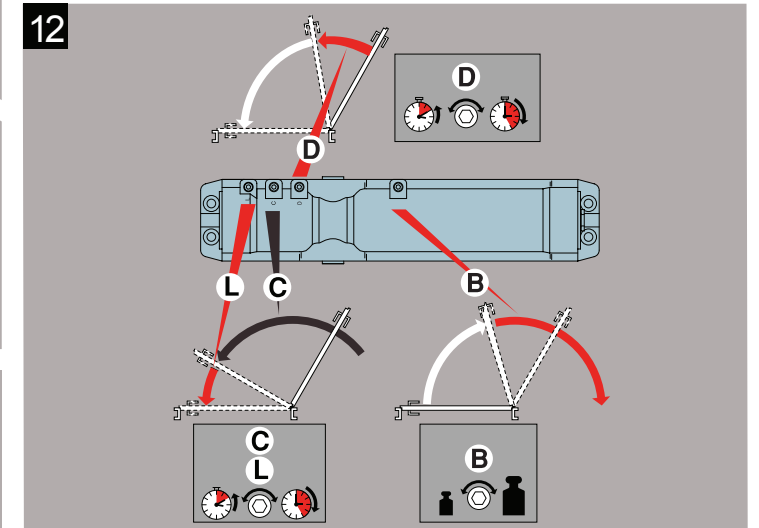
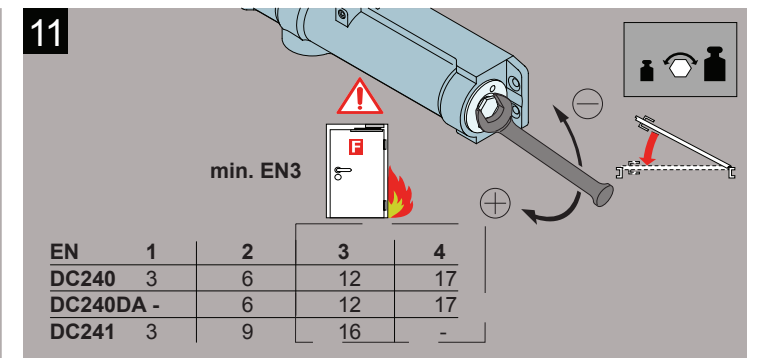
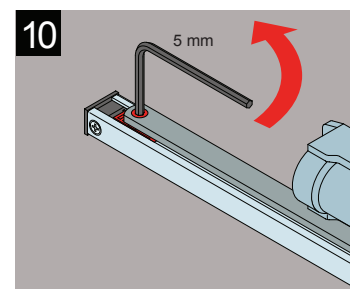
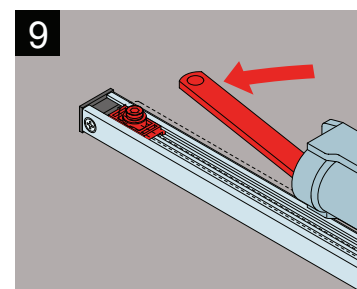
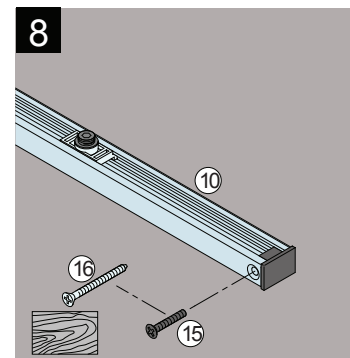
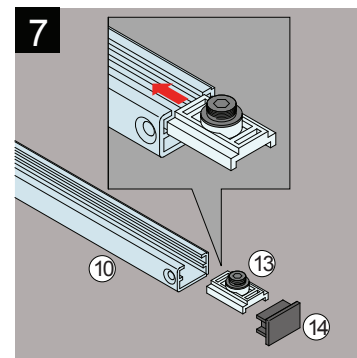
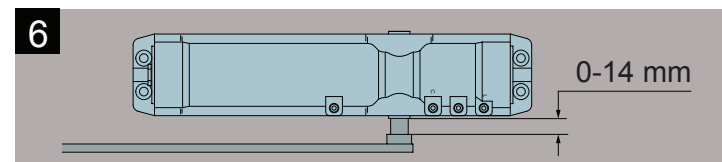
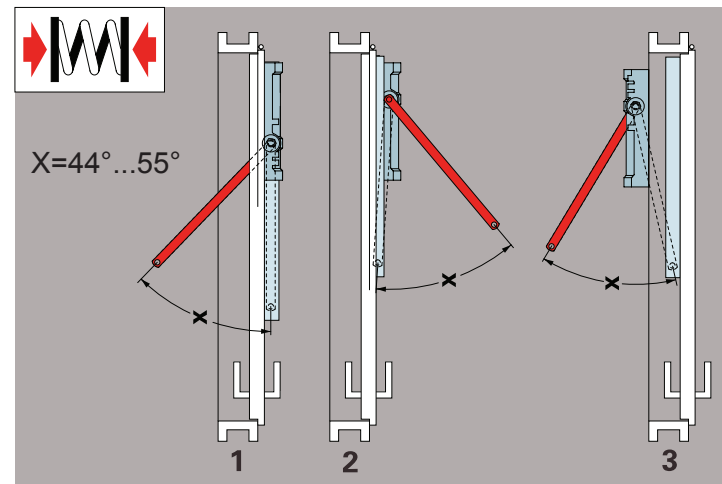
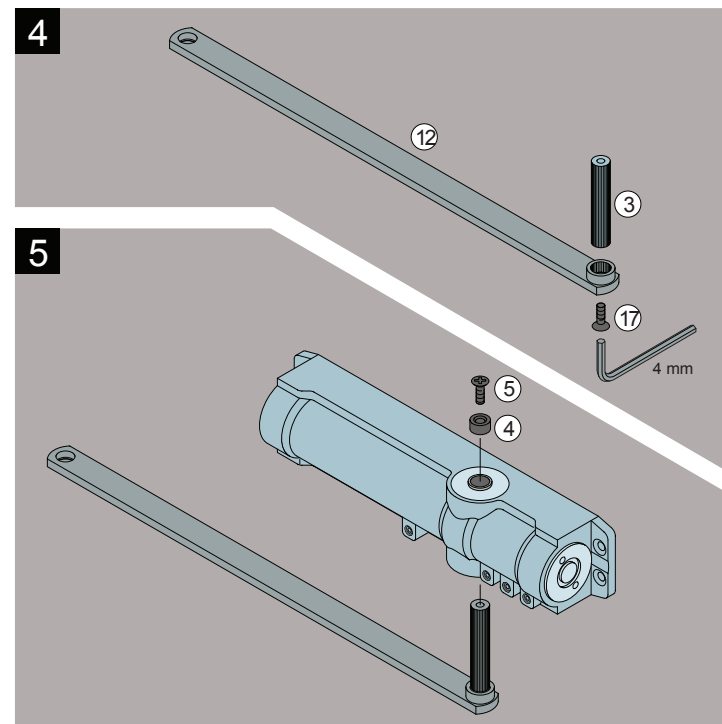
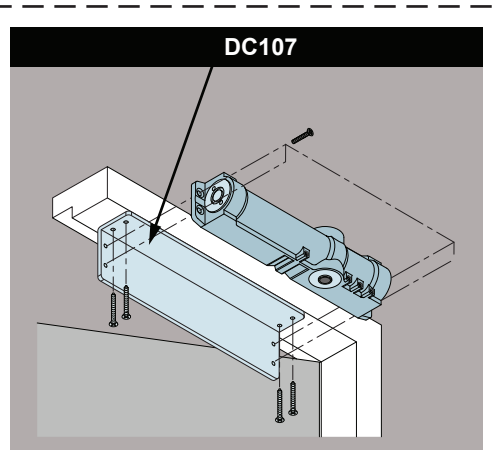
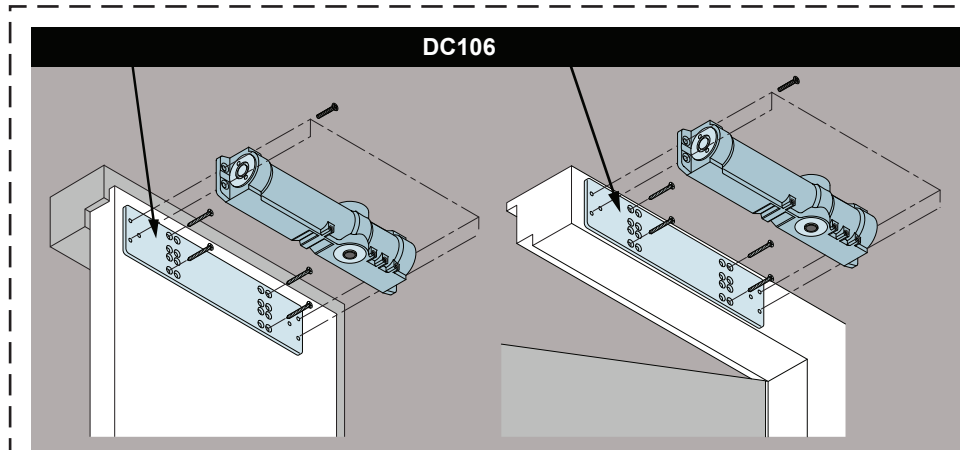
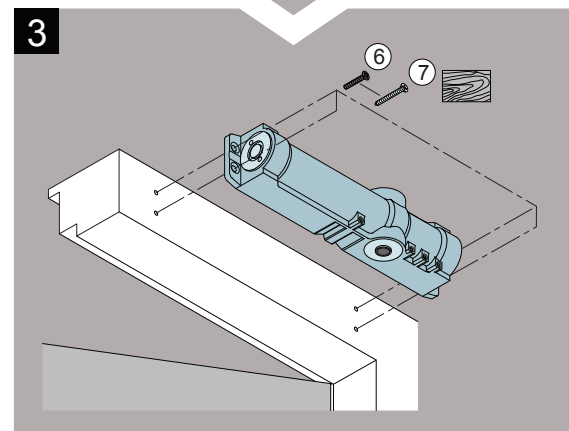
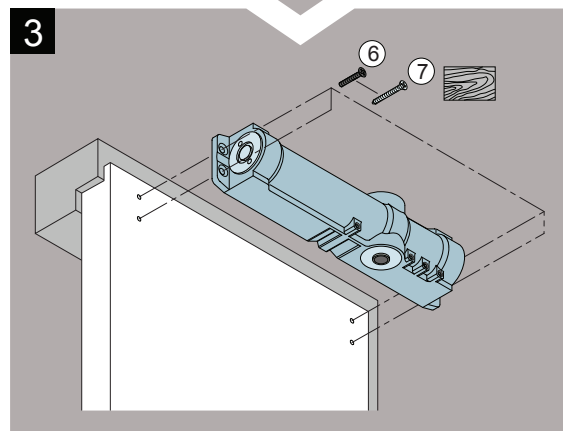
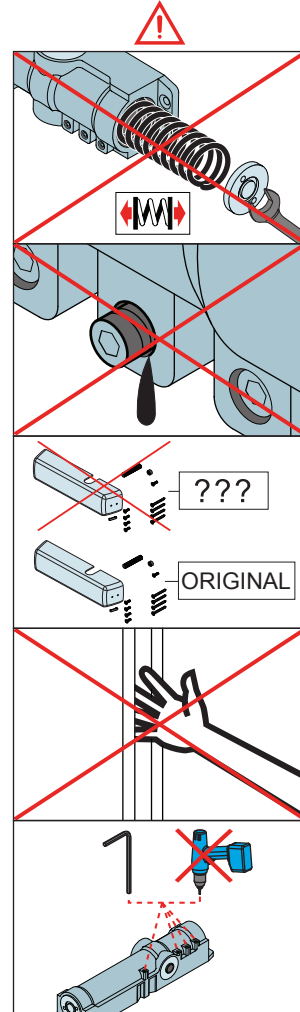
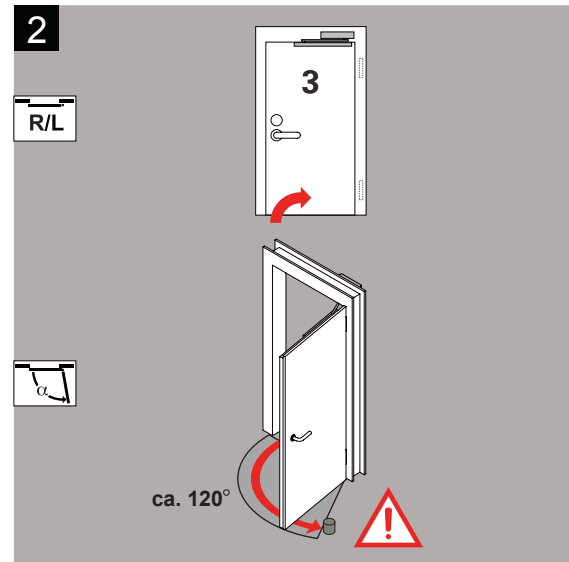
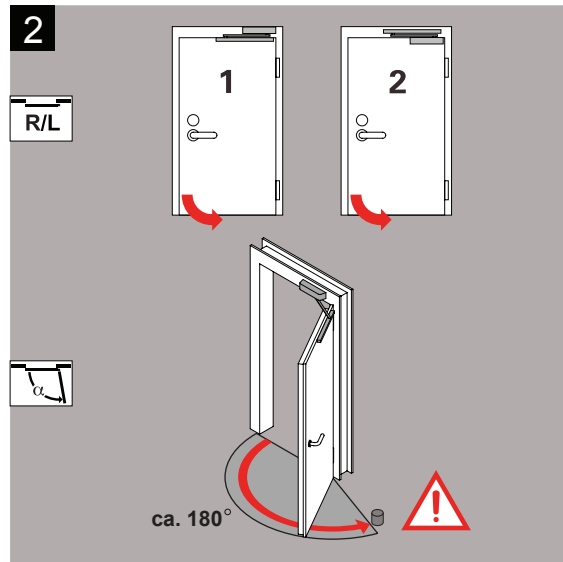
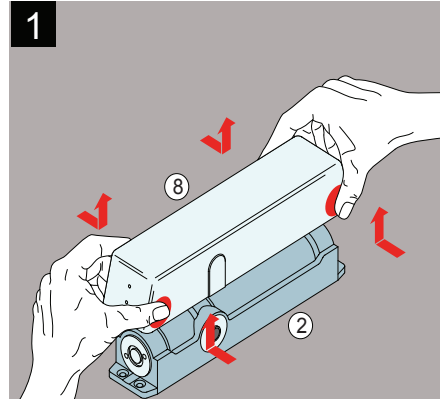
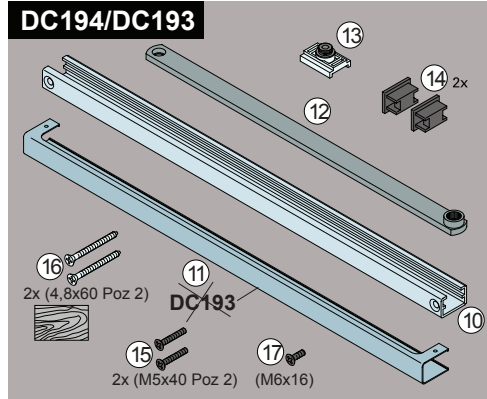
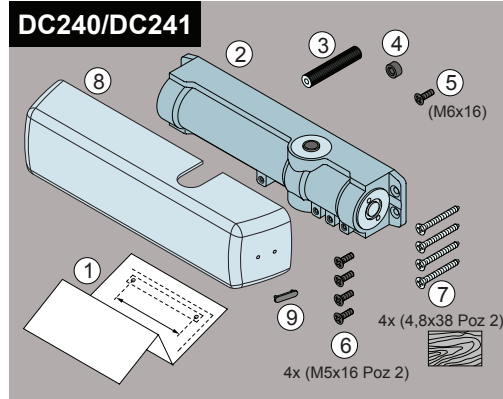
CE	Abloy Oy PO Box 108 80101 Joensuu, Finland	04
0432-CPD-0047	EN 1154:1996+A1:2002	4 8 5 1 1 1 3
Dangerous substances: None		

DC240DA + DC190(DC199)

CE	Abloy Oy PO Box 108 80101 Joensuu, Finland	13
1162-CPR-0647	EN 1154:1996+A1:2002+AC:2006	4 8 6 2 1 1 3
Dangerous substances: None		

DC240/DC241/DC240DA

+ DC194/DC193



DC240 + DC194(DC193)

CE	Abloy Oy PO Box 108 80101 Joensuu, Finland	04
0432-CPD-0047	EN 1154:1996+A1:2002	4 8 4 1 1 3
Dangerous substances: None		

DC241 + DC194(DC193)

CE	Abloy Oy PO Box 108 80101 Joensuu, Finland	04
0432-CPD-0047	EN 1154:1996+A1:2002	4 8 3 1 1 3
Dangerous substances: None		

DC240DA + DC194(DC193)

CE	Abloy Oy PO Box 108 80101 Joensuu, Finland	13
1162-CPR-0647	EN 1154:1996+A1:2002+AC:2006	4 8 4 2 1 1 3
Dangerous substances: None		